

(12) UK Patent Application (19) GB (11) 2 149 544 A

(43) Application published 12 Jun 1985

(21) Application No 8329806

(22) Date of filing 8 Nov 1983

(71) Applicant  
**Standard Telephones and Cables Public Limited Company,**  
 (United Kingdom),  
 190 Strand, London WC2R 1DU

(72) Inventors  
**William Alden Crossland,**  
**Robert Walter Allster Scarr,**  
**Jack Rowland Peters,**  
**Harry John Smith,**  
**Frank Astorino**

(74) Agent and/or Address for Service  
**S. R. Capsey,**  
**S. T. C. Patent Department, Edinburgh Way, Harlow,**  
**Essex CM20 2SH**

(51) INT CL<sup>4</sup>  
**G06F 3/147 // G09G 3/36**

(52) Domestic classification  
**G4H 13D 14A 1A SD**  
**G5C A310 A319 A342 A350 HA**  
**U1S 1063 2285 G4H G5C**

(56) Documents cited  
**GB A 2107159**                      **GB A 2022378**  
**GB A 2054328**                      **GB 1581136**  
**GB A 2039114**                      **GB 1502508**  
**GB A 2035017**

(58) Field of search  
**G5C**  
**G4H**  
**H4T**

(54) Electronic books for the partially sighted

(57) An intelligence display arrangement for an "electronic book" uses a smectic liquid crystal display device of the amblytically lit type. The pages of the "book", which are recorded on a relatively large capacity store, are transferred to an immediate access store which holds a small number of such pages. They are then transferred to the display device as needed by, and under the control of the user. Where the "electronic book" is for partially sighted users, it is possible to present a page, part of a page, a line, or part of a line on an enlarged scale. A pluggable memory pack, a cassette interface, telecommunications link to a central data base may provide the external memory.

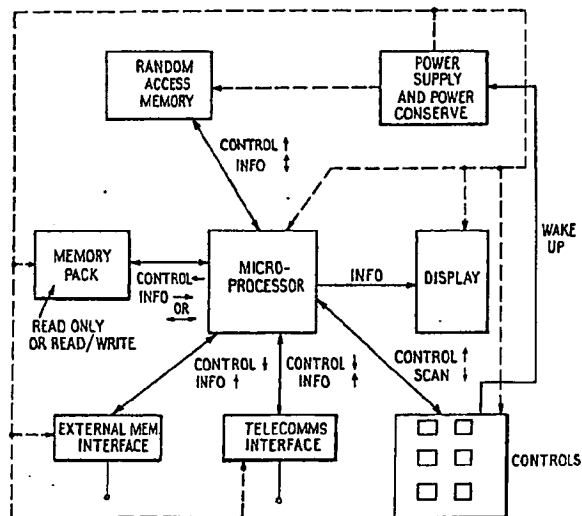


FIG. 3

— INFORMATION AND CONTROL  
 - - - POWER FEED

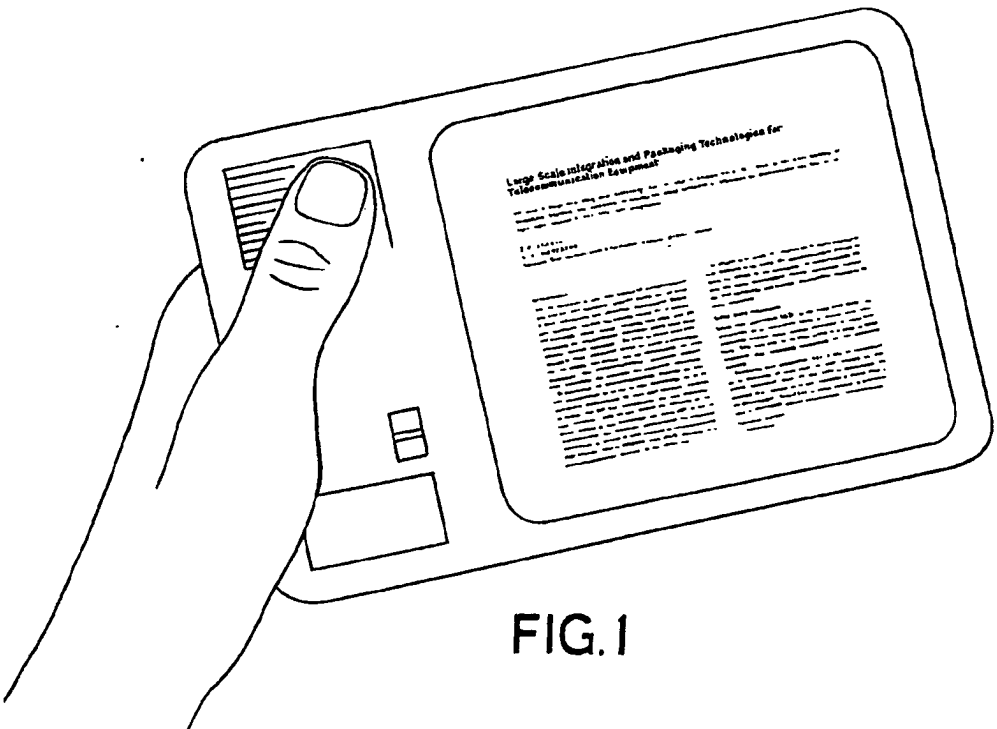


FIG. 1

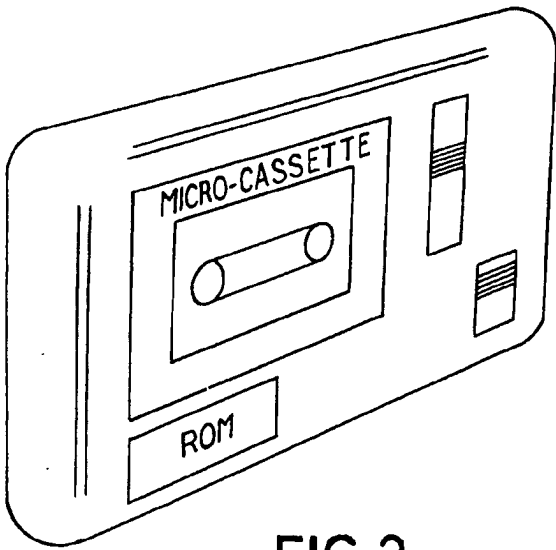


FIG. 2

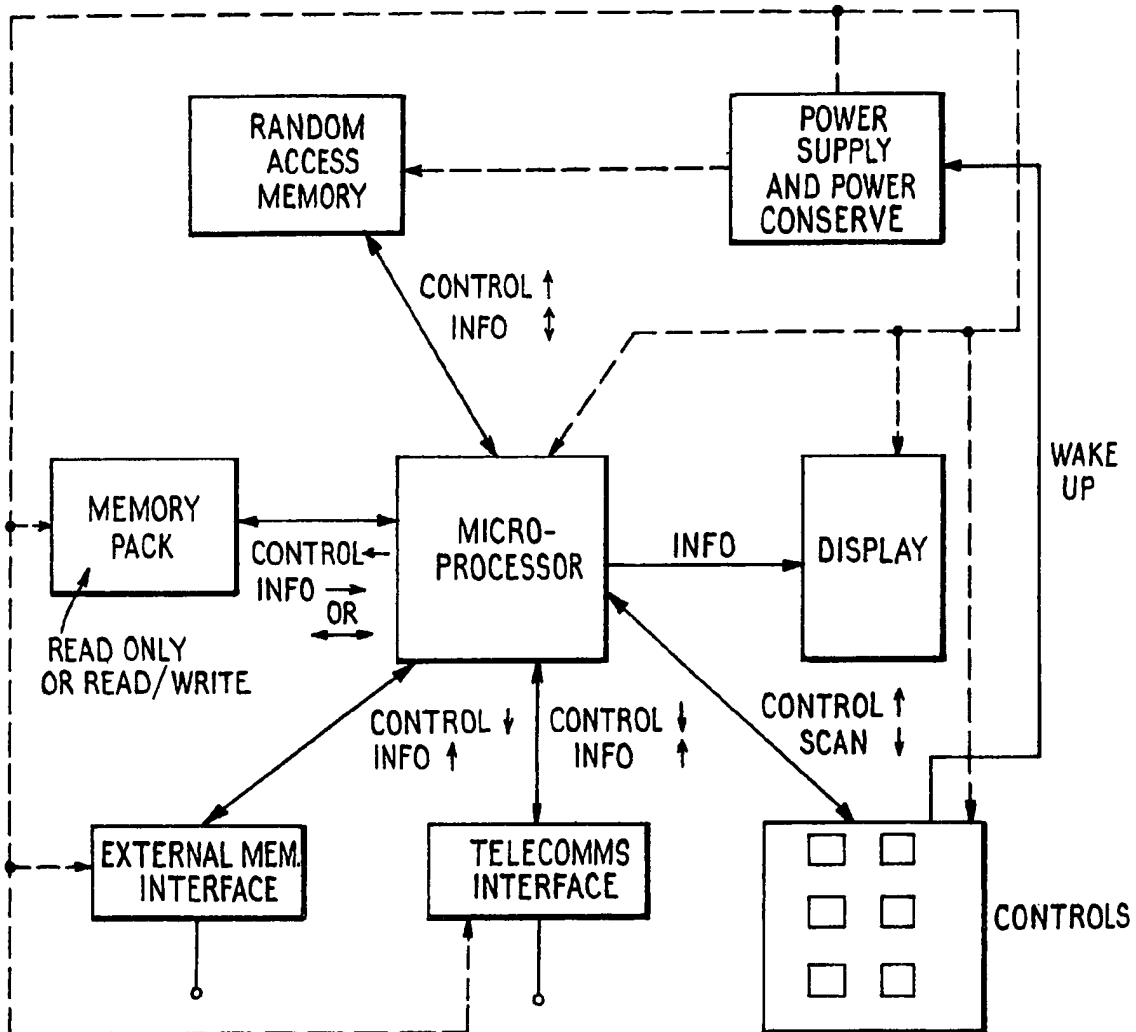


FIG. 3

—— INFORMATION AND CONTROL  
 - - - - POWER FEED

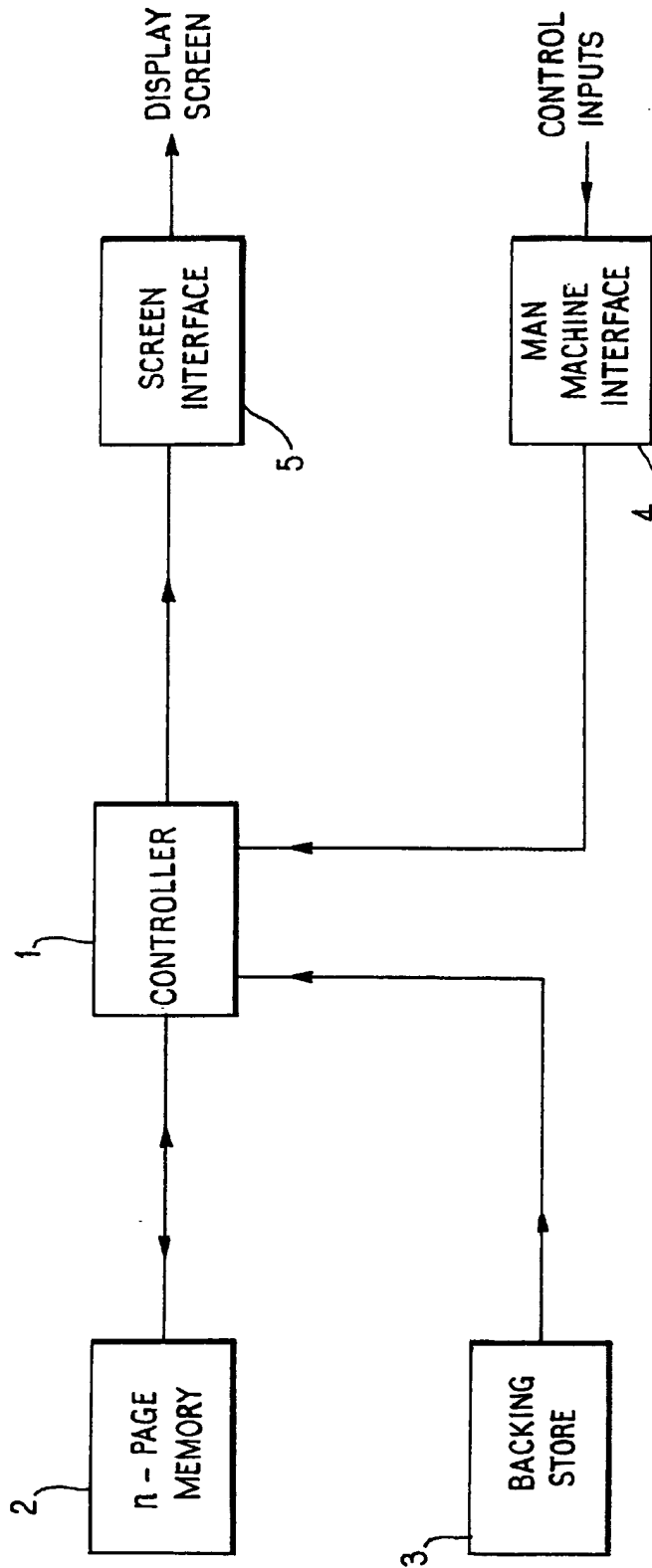


FIG.4

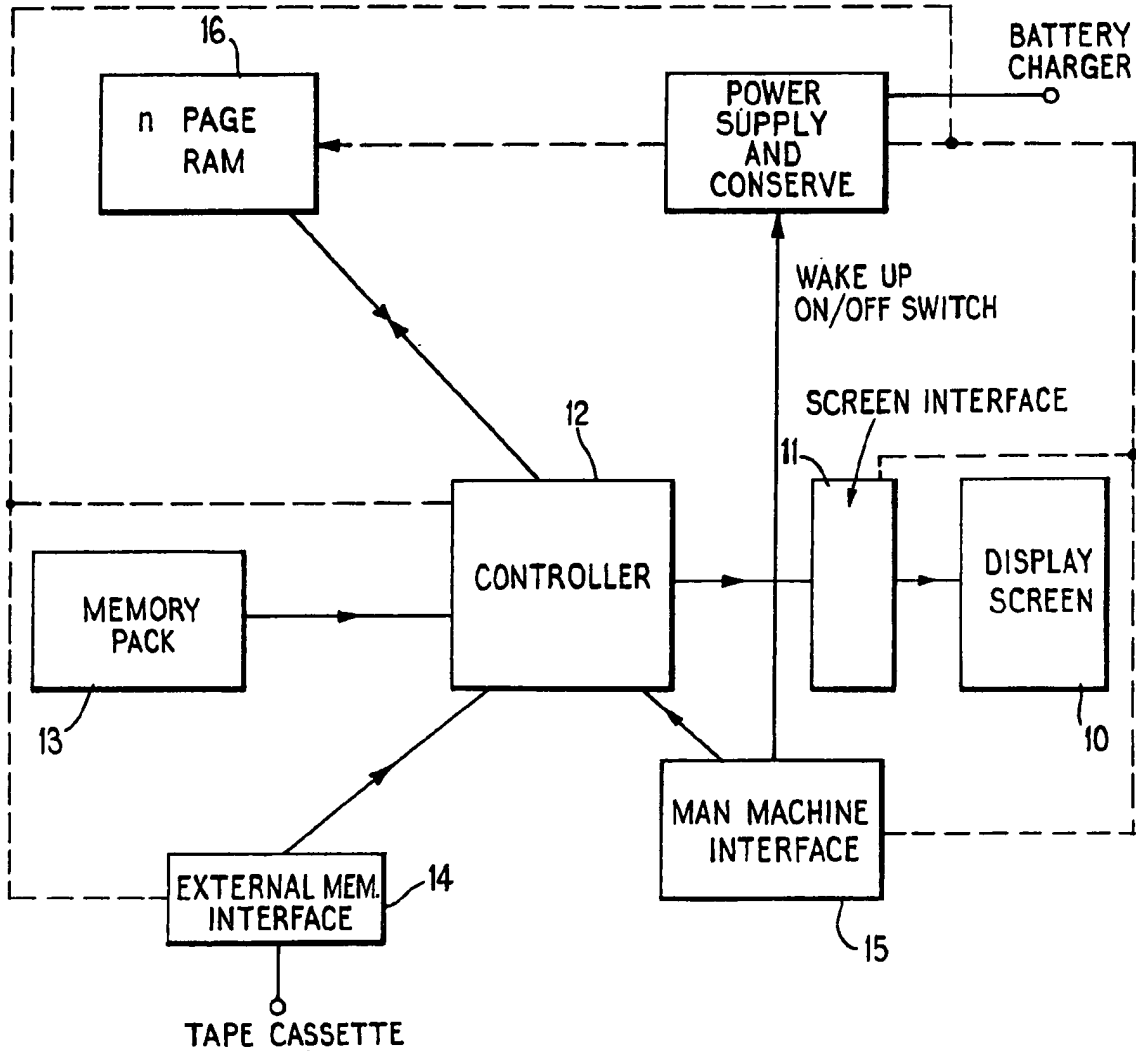


FIG. 5

—→ INFORMATION  
- - - POWER FEED

## SPECIFICATION

**Electronic books for the partially sighted**

5 The present invention relates to an intelligence display arrangement, and especially to such an arrangement for displaying the pages of a book, magazine or catalogue.

10 Publishing is a labour-intensive industry in which costs tend to increase with time, especially for specialised books and the like where the demand is low. Books use much paper, which uses up considerable and decreasing natural resources. With the availability of such "electronic" means of conveying intelligence, the possibility of using such means in place of books arises, especially since such electronic means are relatively compact.

15 Hence in accordance with the invention there is provided an intelligence display arrangement, which includes a static electronic display device of the co-ordinate matrix type on which a page of text or illustrations, or part of such a page, can be displayed, a memory unit which contains the material to be displayed, and control means for the arrangement, wherein when the arrangement is in use the pages to be displayed are successively transferred to the immediate access store, each page or each part thereof being transferred from the immediate access store to the display device as required by, and under the control of, the user.

20 One form of display device which is especially suitable for use in such an arrangement is a liquid crystal display device, which is portable, compact, has a good performance, and relatively low power consumption.

25 One form of book for which the present invention is especially suitable is the provision of "electronic books" for partially-sighted readers. Some public libraries have limited stocks of books with extra large print for use by people with poor eyesight. These books are large and have a limited market, and so are expensive. The present invention readily provides "electronic books" for such use.

30 *Figures 1 and 2* are two views of one form of electronic book, which has a "black on white" contrast approaching that of print on paper. Mass storage uses a micro-cassette indicated in Fig. 2, which is readily replaceable, and control instructions for the microprocessor in the arrangement use a ROM.

35 The "book" whose "mechanical" form is shown in Figs. 1 and 2 consists of a module of a size of the order 12 x 8 x 2 or smaller, which has on one of its largest faces a smectic flat panel liquid crystal display realised preferable in an ambient lit (as opposed to back lit or edge lit) form. Such a device is highly economical of power. Mounted behind the display are the circuits needed to drive it, immediate access storage (e.g. semiconductor RAM) which can store one or more pages of text, and a power supply (normally primary or secondary batteries). The textual material is stored in a memory pack, e.g. a cartridge or flat disc, which plugs directly into the back of the "book", but an option is provided to enable an external source, e.g. port-

40 ble cassette, to be plugged into the module instead of the internal memory pack. Another option for certain applications is to provide a port for downloading material for the books etc. over a telecommunications link from a central data base. This would be useful for electronic newspapers or for repair service/maintenance personnel who might need to refer to a central data base. Such information would need to be stored in the "book" module, which entails the insertion of read/write memory packs into the module in place of the normal read only memory pack. However, when the volume of down-loaded information is small it is stored directly in the RAM, dispensing with the need for the read/write memory pack.

45 The "book" module contains a microprocessor to control the data transfers that take place between the various memory and communication elements to service key inputs and to translate these into the appropriate actions, and to control the writing of characters to the display.

50 The external surfaces of the module carry keys (touch sensitive or mechanical) the perform functions, the number of which depends on the individual product but the following are possible

- (a) page advance
- (b) page retract
- (c) page search (against a specific page number)
- (d) fast rewind
- (e) browse forward
- (f) browse backward
- (g) overlay page ... (which uses a split screen technique to show two pages of information simultaneously)
- (h) word search (implies an ability to input alpha characters)

55 *Figure 3* shows in block schematic form the electronic book as outlined above, and in view of the preceding discussion is thought not to need further description.

60 An ambiently lit display consumes no power in the quiescent state. Power is consumed to keep the RAM alive, on transfers between memory pack and RAM, on transfers from memory to the display, to carry out internal processing, and in scanning the key field for operation.

65 To conserve battery power (when the arrangement is not mains powered) and as an alternative to an on/off switch, a time-out can be provided which on expiry causes the scanning to cease and the microprocessor to be powered down. One or more buttons then have a "wake up" function as indicated in Fig. 3 which causes these functions to be powered up again and operation to be resumed. Note that the current page continues to be displayed when the unit is powered down, and acts as a "bookmark" for use when reading is resumed. The RAM memory could also be left powered up or down depending on the need to keep information against cost of keeping it.

70 The application of the present invention to "electronic" books for the partially sighted was mentioned above. Here the basic requirement is to provide a "normal" display for normally sighted users, say 60 characters a line and 45 lines per

page, and at least one option of a "large" display with say 20 characters per line and 15 lines per page (giving a 9-fold increase in character area).

Options between the "large" and the "normal" are also possible. The display has a page control which can move backwards and forwards through the pages of the book, as indicated above. For partially sighted users an additional "size" control is provided to select the required display size.

A variant of this is to have a moving field under user control, such that the line being read is magnified to a greater extent than the lines preceding it and following it. Thus the user can keep the shape of the sentence being read in vision without necessarily being able to decipher it all at the same time, which may have subjective advantages.

There are two approaches to providing variable pagination and lineation:

(1) The basic material which is stored in character format has multiple sets of delineation and pagination control characters and perhaps page numbers.

(2) The basic material is unpaginated and unlineated, or contains only normal pagination and delineation. A processor in the display module has an algorithm to calculate lineation and pagination control characters for the large (and normal if appropriate) displays, and to insert them into the stored material to be viewed. Pages are then numbered and displayed if required.

In either case the size control setting determines which set of control characters are to be calculated if necessary and to be regarded as valid for display purposes. The unwanted set or sets can either be deleted or ignored. Deletion followed by translation of the valid set into internal constants suits many forms of display interface implementation.

The display module contains character generating circuits similar to those available in any display working on a matrix principle. One large flat display for example uses a character field of 9 x 16 pixels for normal size characters. However, in an "electronic book", such characters are available in various fonts and the input material contains control characters to instruct the processor as to which font to use. The additional requirement for partially-sighted users is for the characters to be "blown up", for example 27 x 48 pixels or 18 x 32 pixels. Such character size enhancement is a standard feature on a number of current display products.

Figure 4 is a block schematic of a possible arrangement. The controller 1 contains the "intelligence" of the system and includes a microprocessor and its associated programme memory and input output circuits. There is a n-page RAM memory 2, "Page" here referring to the number of pages of normal display material stored for immediate access. The value of n might be 2 or 3 in this case, but depends on the access time to information in the backing store 3. Information from the backing store 3 is transferred into the n-page memory 2 and the additional delineation and pagination characters are inserted as necessary. Selection of page number, and display size is ef-

ected via the man-machine interface 4. This includes a touch sensitivity overlay on the display and/or control buttons and switches. The screen interface 5 contains the character generation circuits and the display drivers. According to the display size setting, the control passes to the screen interface information containing only the delineation and pagination characters pertinent to that size of display. In the case of a flat panel smectic display this information is stored on the display, but in other types of display that need continual refresh it is stored in the screen interface. Information on character size and font is also passed by the controller to the screen interfaces.

Figure 5 is a block diagram of the electronics for an "electronic book" especially for partially-sighted users.

The smectic liquid crystal display panel 10 is organised on a matrix basis, and needs column and row drivers, which are realised in LSI form. With the current state of smectic display technology the voltages used to clear the display to the scattering state are about 300 volts for about 20ms, and to write the display to the clear state about 150 volts at about 2kHz for about 6ms. Both scattering and clearing voltages applied symmetrically with regard to polarity if the life of the display is not to be reduced. The display drivers are mounted on the back of the display panel, e.g. using TAB (tape automatic bonding). The display drivers are closely associated and are integrated with storage and decode circuits that translate the input to the screen interface module 11 into the rows and columns to be written or erased. This interface may be serial, or 8 bit or 16 bit parallel, to match the control processor word length, but is "narrow" i.e. it involves a number of lines small in relation to the number of columns plus rows on the display (e.g. 1120). The information crossing this interface 11 is in the form of "commands" and "data". The commands indicate the nature of the operation i.e. "clear" or "write", and the data indicate the rows and columns to be cleared or written. A special command to clear the complete screen is provided.

The controller 12 contains a microprocessor, a RAM, a ROM, and an I/O interface.

The microprocessor is an 8 bit machine (but a 16 bit machine can be used) and has "on chip" memory and I/O. Some memory is external and there may be a separate I/O chip depending on the choice of processor. The control processor configuration is conventional, as recommended by the manufacture.

The ROM 13 contains the programmes needed to carry out the algorithms described and to control information flows between the other modules (i.e. screen interface 11, external memory interface 14, man machine interface 15, n-page memory 16 and memory pack 13).

The RAM in the controller provides a small amount of memory in addition to the n-page memory 16 (see below), and is used to store the working variables.

The I/O interface handles :

(a) Serial Inputs from backing store.

(b) Outputs to the screen interface module 11 which are parallel.

(c) Inputs from the man-machine interface 15.

(d) Inputs from the external memory interface 14 if one is needed as a separate entity.

The n-page RAM 16 and the memory pack 13 are within the address space of the processor, and are connected to the processor's memory bus, not to special I/O ports. Inputs from the man-machine interface 15 are scanned either periodically or following an interrupt to the processor from one or several interrupt lines connected from the man-machine interface.

The n-page RAM 16 stores textual information to be displayed on the screen, and is a conventional memory configuration attached to the memory bus of the microprocessor. Information is loaded by the controller 12 after being obtained from an external source, e.g. a tape cassette. At the instigation of the controller 12, the memory is read for display on the screen.

As an alternative or additionally to the n-page RAM and an external cassette, a memory pack 13 can be plugged into the "electronic book". The pack contains read only memory (ROM) within the address space of the processor. However, this is probably only suitable for use with processors with an address space in excess of 64 kbytes and would ideally need an address space of the 256 kbyte order. The memory uses VLSI semiconductor circuits.

The external memory interface 14 is only needed as a separate entity when the I/O interface of the controller cannot match the requirements of the external storage medium, e.g. if more character buffering is needed than the controller I/O interface can provide. It consists of the logic and storage needed to transfer characters from an external storage medium (e.g. cassette) to the input of the controller to be put in the n-page RAM 16. The commonest information storage is a digital cassette similar to that used for home computers, in which case the interface is character serial and uses the conventions that apply thereto.

Figure 2 shows a "micro-cassette" being built into the back of the display rather than as a separate stand alone item, which could apply in the case of the "book" of partially-sighted users, but similar interface considerations apply.

In the man-machine interface, inputs are from mechanical buttons and/or a touch-sensitive overlay. With a touch-sensitive overlay part of the screen is assigned to programmable button functions. For partially sighted users, the buttons should be much larger legends than normal, which may limit the number of buttons available. Electronics associated with the button/overlay function staticise the output from an operation by setting a bit in a register. The controller processor examines the contents of this register as indicated above, and resets any bits that are set.

The minimum set of functions needed by button control are size (in steps), page advance, and page retract.

Normally power is supplied from internal batteries which can be of the primary (throw away) or

secondary (rechargeable) type. In the latter case a socket is provided to connect an external battery charger which can also be used as an external power supply. To conserve power, the equipment is designed to go into a sleep state in which only the RAM is powered in order to conserve the data stored therein. When an on/off switch is provided, the equipment is completely powered down in switch off.

## CLAIMS

1. An intelligence display arrangement, which includes a static electronic display device of the co-ordinate matrix type on which a page of text or illustrations, or part of such a page, can be displayed, a memory unit which contains the material to be displayed, and control means for the arrangement, wherein when the arrangement is in use the pages to be displayed are successively transferred to the immediate access store, each page or each part thereof being transferred from the immediate access store to the display device as required by, and under the control of, the user.

2. An arrangement as claimed in claim 1, and in which the display device is an ambiently lit smectic liquid crystal device.

3. An arrangement as claimed in claim 1 or 2, in which the immediate access store is a semiconductor RAM and the memory unit is a cartridge, disc, or plugged in cassette.

4. An arrangement as claimed in claim 1, 2 or 3, and which includes a port for connection to a telecommunication line, so that data to be displayed can be obtained from a remote point.

5. An arrangement as claimed in claim 1, 2, 3 or 4, and in which the control means includes means to display the current page or part thereof, or the current line or part thereof on an enlarged scale.

6. An arrangement as claimed in claim 5, in which when a line or part thereof is displayed on an enlarged scale the remainder of the material visible on the display device is shown at the normal size.

7. An arrangement as claimed in any one of the preceding claims, and in which when the arrangement is not in use most of the circuitry is switched off but the display shows the current page, line, or portions thereof.

8. An arrangement as claimed in any one of the preceding claims, and in which two pages can be displayed side by side on the display.

9. An intelligence display arrangement, substantially as described with reference to the accompanying drawings.

Amendments to the claims have been filed, and have the following effect:-

\*(b) New or textually amended claims have been filed as follows:-  
New claim 10 [to follow claims 1-9].

10. An intelligence display arrangement, which includes an ambiently-lit liquid crystal display de-



vice on which a page of text or illustrations, or part of such a page, can be displayed, a memory unit associated with the display device into which the material to be displayed is transferred in readiness  
5 for display, and control means for the arrangement, wherein when the arrangement is in use the pages to be displayed are successively transferred as required to the memory unit which thus acts as an immediate access store for the arrangement,  
10 wherein each page or each part thereof is thus transferred from the memory unit to the display device as required by, and under the control of, the user, and wherein the control means includes means to display the current page or part thereof, or the  
15 current line or part thereof, on an enlarged scale.